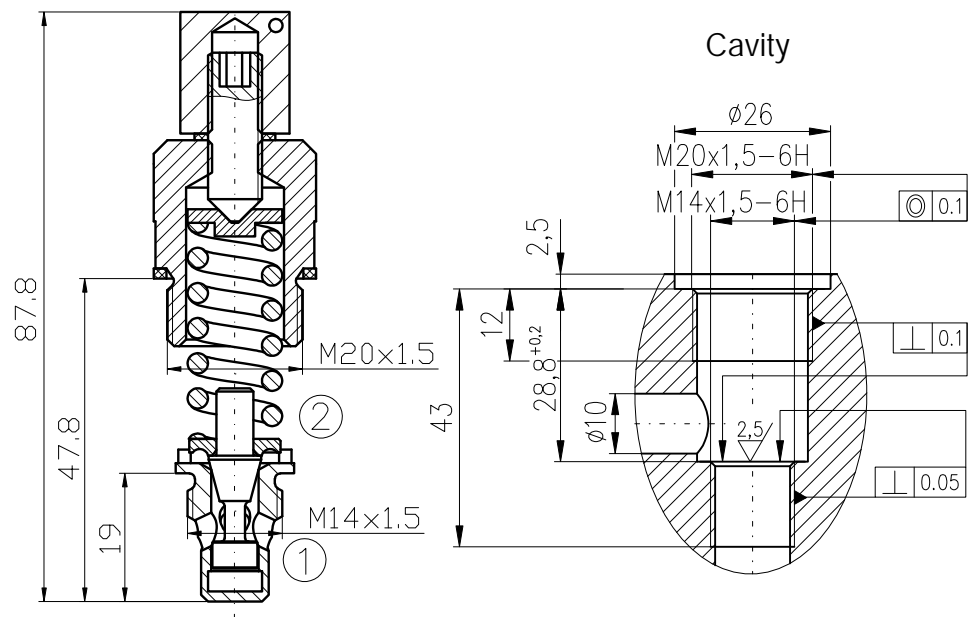
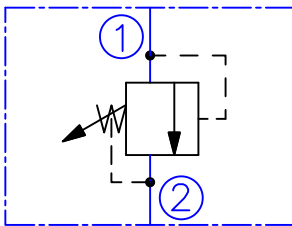


DESCRIPTION

A screw-in , cartridge-style , direct-acting , poppet-type , hydraulic relief valve intended for medium flow circuits requiring low internal leakage.

OPERATION

The KP60/... blocks flow from 1 to 2 until sufficient pressure is present at 1 to force the spring-opposed poppet from its seat.

DIMENSIONS

SYMBOL

ORDERING CODE

KP60 / ...

Relief valve

Pressure adjustment range:

96...200bar - 01

211...320bar - 02

30...100 - 03

TECHNICAL DATA

Operating pressure		320bar
Pressure adjustment range:	KP60/01	96...210 bar
	KP60/02	210...320 bar
	KP60/03	30...100 bar
Rated flow		60l/min
Working liquid-hydraulic oils with characteristics:		
-viscosity		10...400 cSt
-degree of filtration		0,025 mm
-temperature		-20...+80°C